

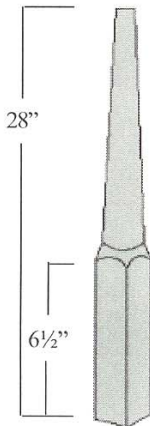
CARDINAL GATES, INC.
Mounting Kit Guide For Stairway Gates

No One Likes Screw Holes In fine Hardwood

Holes are permanent and can never be completely hidden. Cardinal Gates has designed wood clamps to avoid the use of screw holes when possible. The following will assist you in selecting the proper clamp kit for mounting your Cardinal stairway gates.

If....

Your Hinge Post
and
 Your Latch Post are
Square at the Bottom
and Round at the Top



Order

- 1- Square Clamp
- 3- Round Clamps

If....

Your Hinge Post
and
 Your Latch Post are
Square at the Bottom
and Square at the Top

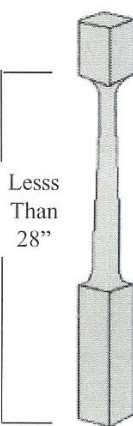


Order

- 4- Square Clamp

If....

Your Hinge Post
and
 Your Latch Post are
Square at the Bottom,
Sqaure at the Top and
Round in the Middle



Order

- 3- Square Clamps
- 1- Round Clamp

If....

Your Hinge Post is
Square at the Bottom
and Round at the Top
 and your latch is
 mounting to **the wall**



Order

- 1 - SK-1 Kit

If....

Your Hinge is mount-
 ing to **the wall**
and
 Your Latch is mount-
 ing to a **Square Post**



Order

- 2- Square Clamps

If....

Your Hinge is mount-
 ing to **the wall**
and
 Your Latch is mount-
 ing to a **Round Post**



Order

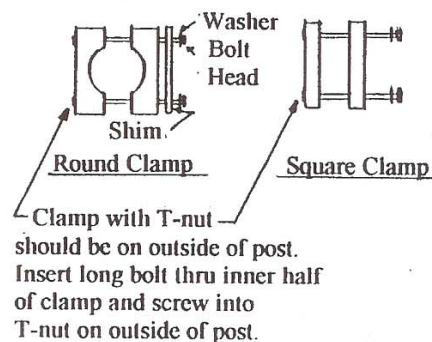
- 2- Round Clamps

If....

You are attempting to mount a Cardinal Gate to Wrought Iron

Order

- 1 - WIK Kit



We realize that other combinations exist.

We will try to assist you when possible by calling **770-252-4200**

Do not mount hinge bracket on drywall unless a stud is available. Gardinal Gates (Models SS-30A and MG-25) are designed to mount at angles so that a stud can be located in most cases.