

Rain Gauge

Operation Manual

P0320



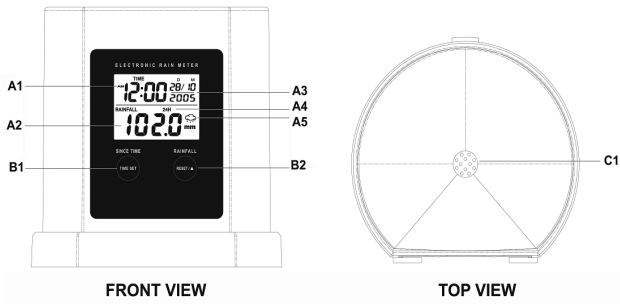
FEATURES

Welcome:

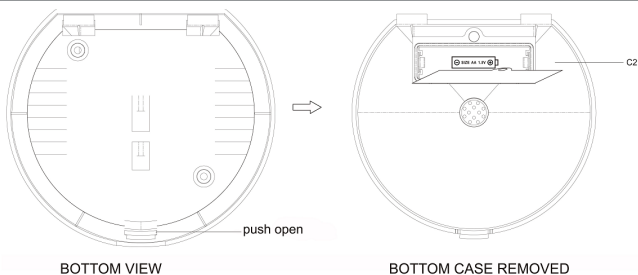
Congratulations on your purchase of the P0320 Rain Gauge! This quality instrument will perform well for years if cared for properly, and allows you to measure the amount of rainfall over a specific period of time. In order to fully understand the features and functions of this product, be sure to read the instructions carefully and retain this manual for future reference.

- Rain gauge recording: Rain gauge range 0–9999 mm or 0–393.7 inch
- Perpetual Calendar Up to Year 2099.
- Real Time function with 12/24 Hour selectable time display.
- Battery : DC 1.5 V AA size (Not included)
- Dimensions: 5"H x 5"W x 4"D

DISPLAY



DISPLAY



Part-A LCD

A1: Real Time

A4: Recorded time

A2: Rain gauge

A5: Raining icon

A3: Date

Part-B button

B1: "TIME SET" button

B2: "RESET/▲" button

Part-C Structure

C1 : Rain collector

C2: Battery compartment

SET UP

The P0320 Rain Gauge is the result of P3's years of experience with manufacturing lawn and garden products. In addition to the standard features found on most rain gauges, our easy-to-use unit includes advanced digital technology allowing you to measure rainfall over a specific period of time.

To install the battery:

Remove the bottom of the unit and unscrew the battery compartment door. Place one DC 1.5 V AA size battery in the battery compartment, replace the door and close securely. For the best performance we recommend the use of Alkaline or Lithium batteries.

SET UP

Using the unit:

The P0320 Rain Gauge can be used continuously until the battery expires. When this happens, install a new battery to reactivate the unit. Dispose of exhausted batteries properly.

Mounting the unit:

In order to achieve the most accurate reading, make sure that your rain gauge is mounted as follows:

- Is placed on flat and stable surface
- Is not placed near roofs, high walls and very large objects which can affect local rainfall and give inaccurate rainfall measurements.
- Is not placed in places exposed to strong winds
- Is not placed directly on the ground to avoid back splash which can give inaccurate rainfall measurements.

DISPLAY FUNCTIONS

Time Setting:

- Press and hold "TIME SET" (B1) button for 4 seconds.
- Press "TIME SET" (B1) button again to select: 12/24 Hour format, Hour, Minute, Year, Month/Day sequence, Month, Day, mm/inch."
- Press "▲" (B2) button to adjust selected item. Pressing and holding this button will activate the fast adjust mode.
- The unit will automatically exit the Setting Mode after 15 seconds without any button presses.

Rain Gauge Display

- Press "▲" (B2) button to see the rainfall status:
Last hour rainfall status (1H) → Last 24 hours rainfall status (24H)
→ 7 day total rainfall status (7 DAY) → 30 day total rainfall status
(30 DAY) → Total rainfall status (TOTAL) → cycle

DISPLAY FUNCTIONS

- B. Total rainfall display:
Shows the measurement of rainfall from the moment when the unit started collecting the data until it is cleared to zero. The status will be updated immediately after the reset.



RAINFALL TOTAL
10.48^{inch}

To see how much time has passed since last rainfall press "TIME SET" (B1).



SINCE TIME
AM 8:28^{D M} 28/10
2006
RAINFALL TOTAL
10.48^{inch}

- C. The last hour rainfall (1H) display:
Shows the total rainfall in the past hour. After the first 60 minutes, it updates, recounts and refreshes the data every 10 minutes.



RAINFALL 1H
0.07^{inch}

- D. The last 24 hour (24H) rainfall display:
Shows the total rainfall in the past 24 hours from start up or reset. After the first 24 hours it updates, recounts and refreshes the data every 60 minutes.



RAINFALL 24H
0.86^{inch}

DISPLAY FUNCTIONS

- E. The last 7 day rainfall display:
Shows the total rainfall in the past 7 days from start up or reset.
After the first 7 days it updates, recounts and refreshes the data every 24 hours.



- F. The last 30 day rainfall display:
Shows the total rainfall in the past 30 days from start up or reset.
After the first 30 days it updates, recounts and refreshes the data every 24 hours.



Clear rainfall record:

To clear all rainfall records and start a new count you need to press the "RESET" (B2) button and hold it for 4 seconds.

Raining icon:

Once the unit detects that it's raining, the raining icon (A5) starts flashing and it will continue to do so until no rain detected for a period of 30 minutes.

MAINTENANCE

Try to prevent falling leaves, small stones and other small objects from getting into your P0320 Rain Gauge. It can affect the unit's accuracy and may cause permanent damage.

Troubleshooting:

- If the unit does not work properly, please take the battery out. Wait a few seconds for the display to turn off and reinstall the battery. This will cause the unit to reset.
- If the unit seems to be showing inaccurate readings make sure that it is mounted properly.
- If the unit turns off and loses all readings, check the battery and replace if necessary.
- To insure that rainfall readings are retained in the unit's memory, do not remove the battery. Removing the battery will erase all the readings stored in memory.

SPECIFICATIONS

Model:	P0320
Display:	Real Time function 12/24 Hour time display selectable
Resolution:	0.03" per inch of rain
Batteries:	1 x AA (not included)
Dimensions:	5"H x 5"W x 4"D
Weight:	8 oz.

(Specifications are subject to change without notice)

P3 INTERNATIONAL CORPORATION LIMITED WARRANTY

P3 INTERNATIONAL CORPORATION ("P3") warrants to the original retail purchaser only, that its product is free from defects in material or workmanship under the condition of normal use and service for a period of six (6) months from the date of purchase. In the event that a defect, malfunction or failure occurs or is discovered during the warranty period, P3 will repair or replace at its option the product or component part(s) which shall appear in the reasonable judgment of P3 to be defective or not to factory specifications. A product requiring service is to be returned to P3 along with the sales receipt or other proof of purchase acceptable to P3 and a statement describing the defect or malfunction. All transportation costs shall be borne by the owner and the risk of loss shall be upon the party initiating the transportation. All items repaired or replaced thereunder shall be subjected to the same limited warranty for a period of six (6) months from the day P3 ships the repaired or replaced product. The warranty does not apply to any product that has been subject to misuse, tampering, neglect, or accident or as a result of unauthorized alterations or repairs to the product. This warranty is void if the serial number (if any) has been removed, altered, or defaced. This warranty is in lieu of all warranties expressed or implied, including the implied warranties of merchantability and fitness for a particular purpose which are expressly excluded or disclaimed. P3 shall not be responsible for consequential, incidental or other damages, and P3 expressly excludes and disclaims liability for any damages resulting from the use, operation, improper application, malfunction or defeat of any P3 product covered by this limited warranty. P3's obligation is strictly and exclusively limited to the replacement or repair of any defective product or component part(s). Some states do not allow the exclusion or limitation of incidental or consequential damages, so the above limitation or exclusion may not apply to you. P3 does not assume or authorize anyone to assume for it any other obligation whatsoever. Some states do not allow limitation on how long an implied warranty lasts, so the above limitations may not apply to you. It is the owner/user's responsibility to comply with local, state, or federal regulations, if any, that may pertain to P3 products or their use. This warranty gives you specific legal rights, and you may also have other rights which vary from state to state.

If you experience difficulty in the operation of your unit, or if your unit requires repair please contact:

P3 INTERNATIONAL CORPORATION
TECHNICAL SUPPORT
Tel: 212-741-7289
Fax: 212-741-2288

Email: techsupport@p3international.com

Rev. 0507