

LENTEK WARRANTY

Purchase Date _____

**This Limited Warranty is effective upon purchase.
Please complete the attached Registration and return to Lentek International.**

1. Lentek International warrants this product to be free of manufacturing defects. Should any such defect develop or become evident within ONE year from the date of purchase, Lentek International will replace the entire product or, at its option, repair or replace the defective part(s) without charge.
2. Securely pack the entire unit. Be sure carton clearly identifies sender by name and address. Attach a letter or card describing the defect. Original receipt of purchase must be included in returned package for warranty coverage.
3. This warranty is void if damage or malfunction is due to abuse or failure to operate product in accordance with instructions and on recommended electrical current.

Mail prepaid via insured parcel post to:



**LENTEK INTERNATIONAL
WARRANTY DEPARTMENT**
1629 PRIME COURT
SUITE 800
ORLANDO, FL 32809

visit us on the web:
www.lentek.com



LENTEK INTERNATIONAL INC.
P.O. Box 593812
Orlando, FL 32859-3812

Phone: 407•857•8786
Fax: 407•857•4045
Toll Free: 888•3LENTEK
Email: customerservice@lentek.com



PET FOUNTAIN

PET DRINKING FOUNTAIN

Instruction guide

**PF-01**

Dear Customer,

Thank you and congratulations on your purchase of this ingenious device. This product is the latest in new technology from Lentek™. We back our product with a one (1) year limited warranty. Your satisfaction is very important to us.

Visit our website at: www.lentek.com and view the rest of our products, such as our Silā™ line, Pet Appliance and PestContro® pest control devices. While you're there, register your new purchase, sign up to receive our newsletter, and learn more about our company.

Questions can also be asked on our website, or you can call: 1-888-3-LENTEK, or 407-857-8786 or contact your local Lentek dealer.

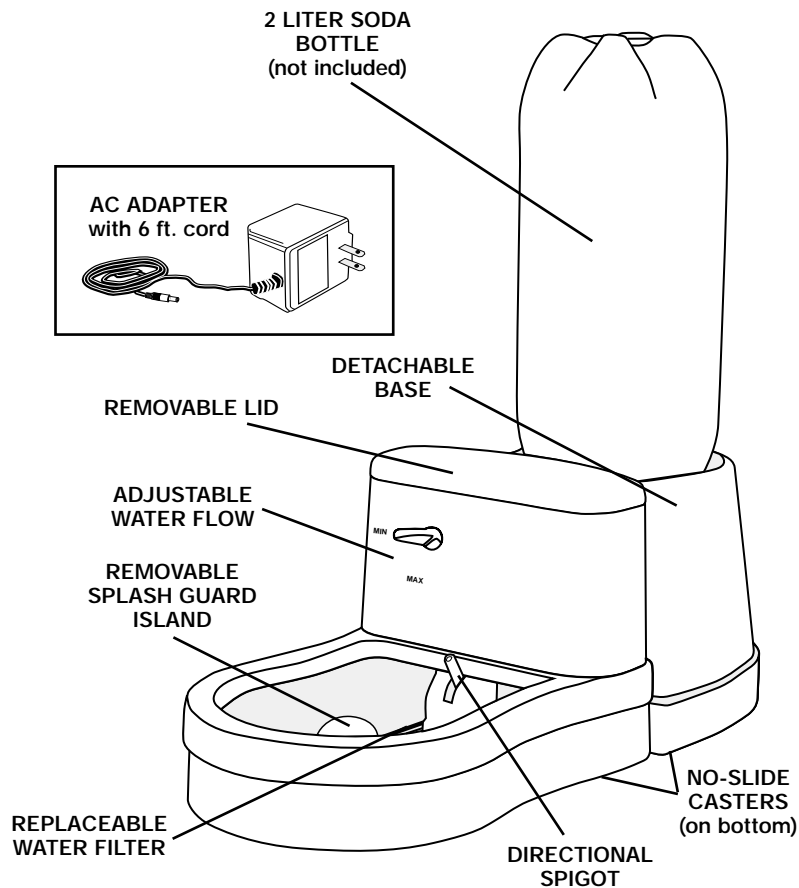
We look forward to serving you,
now and in the future.

Enjoy!

JoeJoe Durek
CEO**Lou**Lou Lentine
President

QUESTIONS
call
888-3-LENTEK

FUNCTIONS:



GETTING STARTED

PUTTING IT ALL TOGETHER:

- Connect the bottle holder to the fountain by placing the over hanging lip onto the back of the fountain.
- Place the splashguard into the fountain reservoir using the suction cup on the bottom - this is to eliminate water noise.
- Snap in the replaceable charcoal water filter just below the directional spigot.

Note: Replacement charcoal water filters should be replaced once a month. For replacement filters contact your place of purchase, or call 888-3LENTEK, or visit us at www.lentek.com.

POWER SOURCE:

- This unit plugs in to any electrical AC unit.
- A UL approved AC adapter with a 6 foot cord is included.
- The AC adapter plug-in for the unit is located on the lower left base.

READY TO SET

- Remove all loose plastic retaining rings from an empty 2-Liter bottle (not included).
- Fill up the 2-Liter bottle with clean water.
- Place the 2-Liter bottle onto the detachable base opening down.
- Set the water circulation flow using the silver "handle" on face - "MIN" for a slow water flow and refill and "MAX" for a stronger water flow and refill.

GO!

- Connect the AC Adapter to the unit to begin operation.
- Adjust the "spigot" up or down as needed to direct water for optimum performance and for your pets comfort.
- Move the splash guard as needed to be directly under the water flow.
- Adjust the water flow with the silver handle as needed.

FEATURES

- UL approved AC adapter included
- Equally suited for Dogs or Cats
- Adjustable water circulation flow
- Uses any 2 liter soda bottle (not included)
- Reservoir equivalent to six bowls of water
- Removable splash guard island eliminates water noise

You and your pet will love this unique drinking fountain! Save time and stop worrying about your pets water supply. Water is the most critical nutrient for survival and just as plenty of water every day is important to your health, it is also crucial to your pets. The best care for your pet is easy with the Pet Fountain by Lentek.

The fountain continually re-circulates and filters the water, keeping it aerated and clean. This encourages your pet to choose the fountain over toilets and sinks, and to drink more often. With the reservoir equalling six bowls of water, you don't have to worry about running out.

*** CAUTION: Do not run this unit dry**



- Provides a continuous supply of fresh water
- Satisfies a Pets urge for running water.
- Convenient for busy on-the-go pet owners.

