

Dear Customer,

Thank you and congratulations on your purchase of this ingenious device. This product is the latest in new technology from Lentek™. We back our product with a one (1) year limited warranty. Your satisfaction is very important to us.

Visit our website at: www.lentek.com and view the rest of our products, such as our Silā® line, Pet Appliance™, Biagianté™ and PestContro® pest control devices. While you're there, register your new purchase, sign up to receive our newsletter, and learn more about our company.

Questions can also be asked on our website, or you can call: 1-888-3-LENTEK, or 407-857-8786 or contact your local Lentek dealer.

We look forward to serving you, now and in the future.

Enjoy!

Joe

Joe Durek
CEO

Lou

Lou Lentine
President

QUESTIONS
call
888-3-LENTEK

LENTEK WARRANTY



Purchase Date _____

This Limited Warranty is effective upon purchase.

Please complete the attached Registration and return to Lentek International.

1. Lentek International warrants this product to be free of manufacturing defects. Should any such defect develop or become evident within ONE year from the date of purchase, Lentek International will replace the entire product or, at its option, repair or replace the defective part(s) without charge.
2. Securely pack the entire unit. Be sure carton clearly identifies sender by name and address. Attach a letter or card describing the defect. Original receipt of purchase must be included in returned package for warranty coverage.
3. This warranty is void if damage or malfunction is due to abuse or failure to operate product in accordance with instructions and on recommended electrical current.

Mail prepaid via insured parcel post to:



LENTEK INTERNATIONAL
WARRANTY DEPARTMENT
1629 PRIME COURT
SUITE 800
ORLANDO, FL 32809

visit us on the web:
www.lentek.com



LENTEK INTERNATIONAL INC.
P.O. Box 593812
Orlando, FL 32859-3812

Phone: 407-857-8786
Fax: 407-857-4045
Toll Free: 888-3LENTEK
Email: customerservice@lentek.com



visit us on the web:
www.lentek.com

© 2002 Lentek International. All rights reserved.
All specifications are subject to change without notice.
Dimensions are approximate.

REVINSTPD06-0602



PET DISH

FEED YOUR DOG OR CAT AUTOMATICALLY

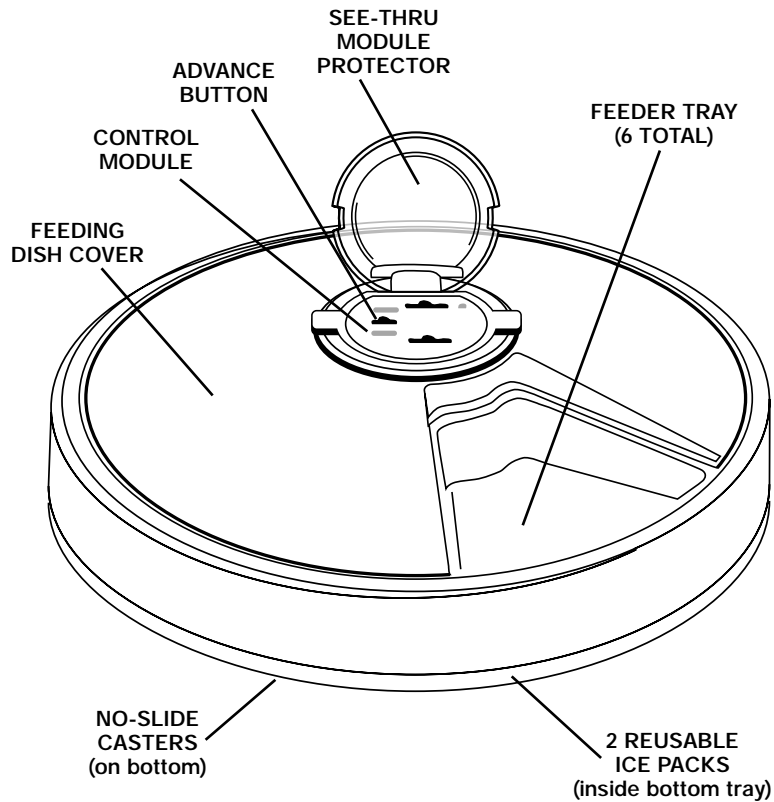
"SIX DAY"

Directions for Use

PD-06



FUNCTIONS:



DIRECTIONS FOR USE:

LOADING THE BATTERIES:

- This unit requires one (1) 9 volt battery (not included.)
- The battery compartment is located under the center control module.
- Remove the timer located under the clear covered control module by pulling up feeder compartment cover and then pulling the center timer out.
- Turn the control module over - the battery cover is on the underneath of the timer column and must be unscrewed with a Phillips head screwdriver.
- Install the 9 volt battery, making sure to securely connect the leads and tucking them inside the battery compartment.
- Replace the battery compartment cover and screw the cover down securely.

READY TO SET

- The ON/OFF switch is located under the clear plastic cover of the control module.
- Switch to ON position
- Select 6, 12 hours or 24 hours time interval using the switch located on top of the battery compartment column.
- If you want to use the ice packs (included) lift the feeder tray out and remove the ice packs. Fill with water to max level and secure cap to ice pack. Place in freezer until water is frozen solid.
- Place the ice packs on top of the bottom tray - replace the feeder tray making sure it snaps into place.

GO!

- Replace the control module inside the feeding dish cover twisting until it slides down freely and making sure it is flush with the bottom of the center column.
- Fill each tray with food. **IMPORTANT!** Do not overfill the compartment with food, otherwise the tray will not rotate properly and your pet may miss a meal!
- Replace the feeding dish cover/control module unit on the feeder tray, lining up the holes in the bottom of the control module with the round knobs in the center of the dish and pushing it down gently. Turning on the power will rotate the dish and lock it into place.
- Lid will automatically turn at the time interval you selected giving your pet a fresh dish of food.
- Advance button allows you to manually rotate the cover to the next feeder tray without changing time interval setting.

FEATURES

- Auto reverse to help clear jammed food.
- Selectable feeding intervals of 6, 12 or 24 hours.
- Fill as many or as few compartments as you need.
- Comes with 2 ice packs to keep food fresh or if needed for moist food.
- Operates on one (1) 9 volt battery (not included)

The "Six Day Pet Dish" is ideal for pet owners who have an on-the-go lifestyle, causing them to be away from home during feeding times due to extended work hours or travel. It's also perfect for establishing good feeding habits in your pet, thereby maintaining optimal nutrition and metabolism by keeping them on a regular feeding schedule.

The "Six Day Pet Dish" feeding tray is fully dishwasher safe, or can be cleaned in warm soapy water and rinsed, if preferred.

Fully programmable - choose as many trays as you need for the days you'll be away. The intervals can be set at 6, 12 or 24 hours.

* If unit jams from excess food, the unit will try to clear the blockage. The auto reverse feature rotates the lid backwards and forwards up to three times to clear the food. The unit will shut off if it is unable to clear the food. The led will turn off indicating a blockage has occurred and needs cleared. The "Six Day Pet Dish" will automatically try again at the next time interval selected.

- **Convenient for on-the-go pet owners**
- **Helps improve metabolism of pet by regulating its eating habits.**

