

PEARL Product Specifications

WHERE IS PEARL INSTALLED?

PEARL is installed under the window in upper story bedrooms; it is installed in the wall similar to a medicine cabinet.

HOW LONG DOES IT TAKE TO INSTALL PEARL?

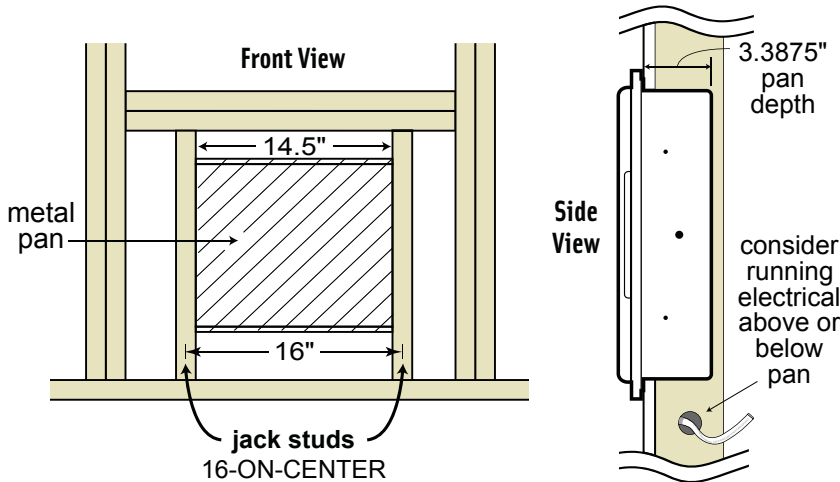
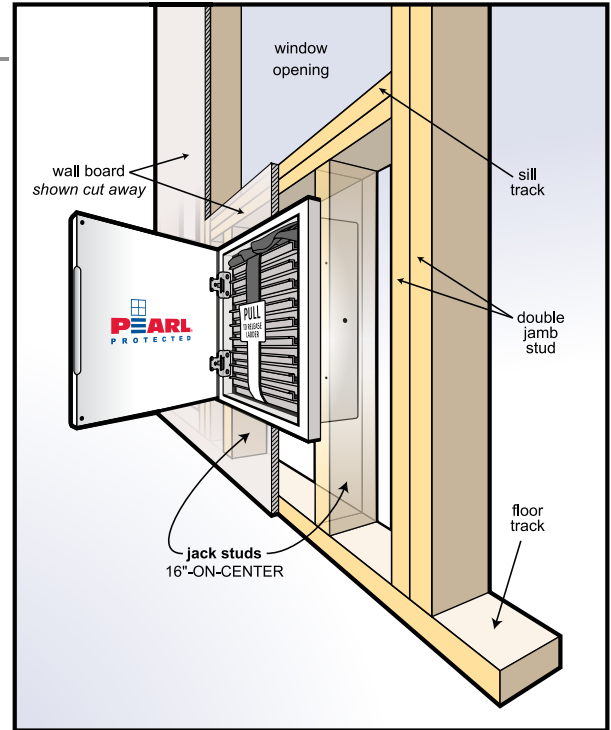
On average, it will take the technician 30 minutes to install a PEARL. This is based on an installation that does not require outlets, wires, or cables to be re-routed.

WHAT KIND OF TOOLS ARE NEEDED FOR INSTALLATION?

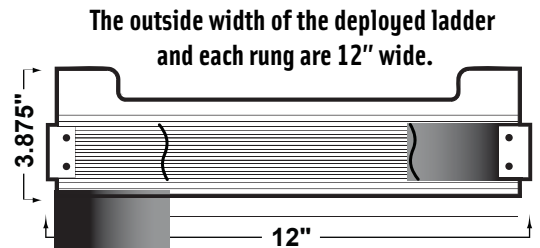
There are no special tools required for installation. The tools needed are all very common and should already be on the technicians truck.

WHAT KIND OF HARDWARE IS NEEDED FOR INSTALLATION?

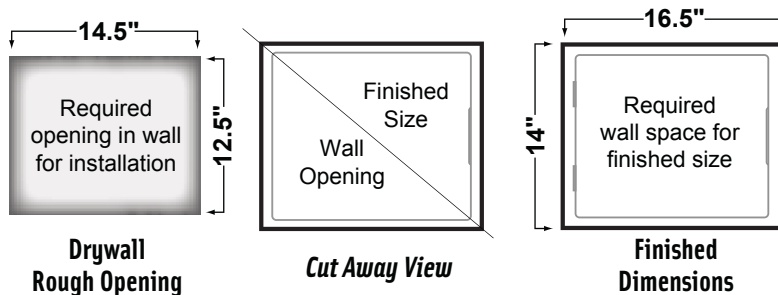
All of the necessary hardware—6 lag bolts—is included with the PEARL unit. It is suggested that a 2 x 4 or 2 x 6 is kept in the truck to add or replace jack studs if necessary.



Center the jack studs under the window, 16-on-center.



The ladder is 23' 8" long and able to accommodate up to a three story home. The distance from the first rung to the pan is 40 inches.



- 14.5" x 12.5" Rough Opening
- 16.5" x 14" Finished Opening
- 3.3875" Pan Depth
- 12" x 3.875" Ladder Rung
- 40" Distance to First Rung
- 23' 8" Total Length

Permanent Escape And Rescue Ladder

This supplement presents a layman's language narrative about the required rough opening and required finished wall space for the proper installation of the PEARL ladder. This supplement does not provide complete instructions and reference must be made to the manufacturer's installation instructions that are provided with individual units.

