



© 2001

Therm Technology Corp.

2879 Remico S.W.

Grandville, MI 49418-1139

(616) 530-6540

Website: www.therm-tech.com

**Operating Instructions
Installation Instructions
12 Volt Electric Heater**

**Directives d'utilisation et d'installation
pour le radiateur électrique de 12 volts**

**Instrucciones de operación
Instrucciones de instalación
Calentador eléctrico de 12 Voltios**

BACK SEAT HEAT PLUS

Model 3000C, 4000 (24 volt)

Modèle 3000C, 4000 (24 Voltios)

Modelo 3000C, 4000 (24 volts)

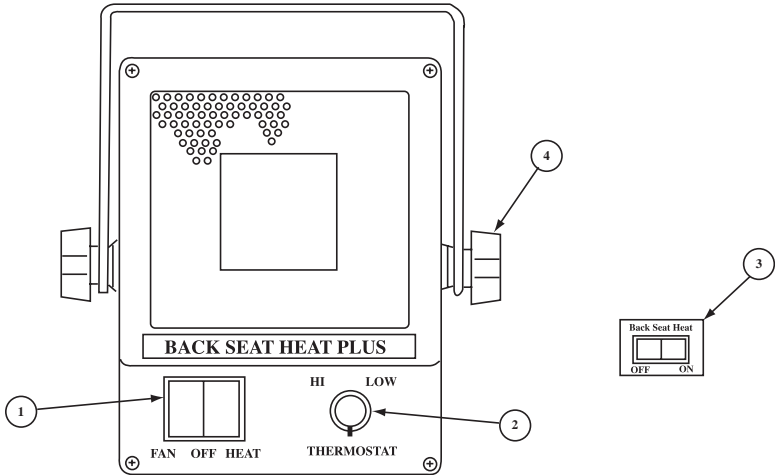
ENGLISH

Operating Instructions

Please read complete installation instructions before proceeding with installation.

NOTE: This heater draws 25 Amps. If your vehicle's alternator does not produce at least 45-50 Amps, there will not be enough power to operate this heater. **Do not install.**

WARNING: Vehicle should be started before the Back Seat Heat is turned on. **DO NOT** operate the heater or fan without the engine running.



1. Function Select Switch
 - a. Left Position: Fan only on.
 - b. Middle Position: Unit off.
 - c. Right Position: Both fan and heat on.
2. Thermostat Control
 - a. Rotate right or clockwise to increase temperature setting.
 - b. Rotate left or counter clockwise to reduce temperature setting.
3. Dash Switch (optional installation)
 - a. Left Position: Heater off.
 - b. Right Position: Heater and/or fan turned on.
4. Swivel Knobs
 - a. Loosen swivel knobs on either side to tilt the heater up or down and retighten.

NOTE: Both the Dash Switch (if used) and the Function Select Switch must be in the "on" position for the heater to operate. Either switch in the "off" position will turn the heater off.

Suggested Mounting Locations

1. We suggest a mounting location low along the floor, under elevated seats, on wheel wells or on the floor.

WARNING: Do not mount the heater where air inlet or air outlet would be blocked. Allow 2-1/2" minimum clearance to obstacles at back and front of the heater.

2. Check heater and bracket dimensions for mounting obstructions before proceeding with installation.
3. Mount heater to metal seat frame, floor or wall

Installation Instructions

1. After choosing an appropriate location (see Suggested Mounting Locations), mark centers of the three screw holes in U-Bracket on chosen mounting surface. Drill three (3) holes using 1/8" diameter drill bit.
2. Fasten U-Bracket to mounting surface with three (3) #8-32 x 1" long phillips screws.
3. Uncoil the red; black and white wire furnished with the heater.
4. Route the red and black wires under carpet from the heater location to the driver's side firewall. Drill two 3/8" diameter holes through the firewall and insert two 3/8" bushings.

WARNING: Prior to drilling, make certain that the drill bit will not damage existing components on either side of firewall.

5. Feed all excess red and black wire through the bushings into the engine compartment.

NOTE: Make sure that the bushings are properly installed to protect wires.

Installation Using the Optional Dash Switch (If not using the Optional Dash Switch, proceed to step #20)

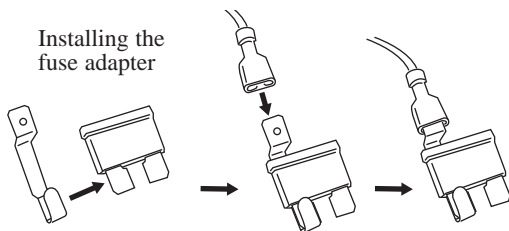
6. Strip 1/4" off end of the red and black wires at heater location and terminate with 12-gauge male spade terminals making sure that the male spade remains centered in the terminal.
7. Strip 1/4" off end of the white wire at heater location and terminate with 20-gauge male spade terminal making sure that the male spade remains centered in the terminal.

WARNING: When crimping the terminals to the wires, crimp must be tight to the wire. Use of a proper crimping tool is highly recommended. Failure to have a tight crimp can cause over-heating of the wire.

8. Connect terminals to the heater leads at the back of the heater. Connect red to red, black to black and white to white (see wiring diagram).
9. Mount the heater to the U-Bracket using two (2) 1/4-20 Swivel Knobs.
10. Select mounting location for the Dash Switch.
11. Mark the centers of the two (2) holes in the Dash Switch Angle Bracket at the desired location.

WARNING: Prior to drilling, make certain that the drill bit or inserted 1" long screws will not damage existing components.

12. Drill two (2) 1/8" diameter holes for the angle bracket. Fasten bracket to mounting surface using two (2) #8-32x1" long screws.
13. Install dash switch label over the angle bracket and insert switch with numbers facing away from the angle bracket.
14. Cut white wire into two (2) pieces. One to reach from the back of the heater to the dash switch. The other to reach from the dash switch to the vehicle's fuse box.
15. Using the white wire coming from the back of the heater, strip 1/4" off of one end. Terminate this end with a 20 gauge female terminal. Connect to either spade on the dash switch.
16. Using the remaining white wire, strip 1/4" off of one end. Terminate this end with a 20-gauge female terminal. Connect to the remaining spade on the dash switch.
17. Route this wire to the vehicle's fuse box. Strip 1/4" and terminate with a 20-gauge female terminal.
18. Select an existing 10 Amp fuse in the vehicle's fuse box that is dead when the vehicle is not running. This will allow the heater to turn off with the ignition key.
19. Install the fuse adapter into the selected fuse. Connect the terminal on the white wire to the fuse adapter (see diagram).



Skip to Step #26

Installation Without the Optional Dash Switch

20. Strip 1/4" off end of the black wire at the heater location and terminate with 12-gauge male spade terminal making sure that the male spade remains centered in the terminal.
21. Cut a length of 5" from the white wire. Discard remaining white wire.
22. Strip 1/4" off end of the red and white wires at the heater location and terminate together with 12-gauge male spade terminal making sure that the male spade remains centered in the terminal.
23. Strip 1/4" off of the remaining end of the white wire and terminate with 20-gauge male spade terminal making sure that the male spade remains centered in the terminal.

WARNING: When crimping the terminals to the wires, crimp must be tight to the wire. Use of a proper crimping tool is highly recommended. Failure to have a tight crimp can cause over-heating of the wire.

24. Connect terminals to the heater leads at the back of the heater. Connect red/white to red, black to black and white to white (see wiring diagram).
25. Mount the heater to the U-Bracket using two (2) 1/4-20 Swivel Knobs.
26. Route power wires (red & black) around engine compartment. Attach wires with wire ties or clips to compartment walls away from engine block, manifolds, and other harnesses or moving parts.

WARNING: Do not cut off excess red and black wires. Shortening these wires will decrease the resistance of the wire, which in turn increases the current through the wire. This could cause the heater to malfunction and will void your warranty.

27. Terminate one end of the in-line fuse with a 1/4" ring terminal and the other end with a 12-gauge butt splice. Connect ring terminal to the positive (+) post on the battery. (If the system has a positive ground, attach the in-line fuse ring terminal to the negative (-) post.)

WARNING: The in-line fuse must be installed as close to the battery as possible (see wiring diagram). Changing the location of the in-line fuse can cause over heating of the fuse.

28. Strip 1/4" off of the end of red wire and terminate to the 12-gauge butt splice on the in-line fuse.
29. Strip 1/4" off of the end of black wire and terminate with a 1/4" ring terminal. Connect the ring terminal to the negative (-) post on the battery. (If the system has a positive ground, attach the black wire to the positive (+) post on the battery.)
30. Start the vehicle and test the heater. Both the Function Select Switch and the Dash Switch (if used) must be in the on position for the heater to start.

Note: If additional wire is required, use only properly insulated 12 AWG wire as power wires.

WARNING: Use only the recommended fuse sizes. Use of incorrect fuses can cause damage to heater or vehicle and will void your product warranty.

Installation also available at local service centers.

Failure to follow these instructions may void product warranty.

Troubleshooting Guide:

Heater does not operate (no fan and no heat).

1. Check thermostat setting. Turn toward Hi until heater starts.
2. Check in-line fuse. If blown, replace with 30 Amp automotive fuse only. (It is possible that the fuse could have a hair-line crack that makes it difficult to tell if the fuse has blown.)
3. Check proper connection to battery. (Red to + and Black to -). Reverse if positive ground system.
4. Check proper connection of dash switch or optional wiring per wiring diagram.
5. Check connectors at rear of heater for proper insertion and complete connection.
6. After checking the above, the heater will still not operate, call our technical support team at 616-530-6540.

Heat output, but no fan.

1. Call our technical support team at 616-530-6540.

Fan works, but no heat output.

1. Check the red wire connection at the back of the heater. (If an incomplete connection exists on the red wire, there will be 12 volt current up to the heater from the battery, but not into the heater.)
2. Recheck all crimps and connections.
3. After checking the above, the heater will still not operate properly, call our technical support team at 616-530-6540.

Low heat output.

1. This heater is not intended to serve as a primary heat source. The air output will be 20°-30°f warmer than the air input.
2. Alternator may not be getting enough Amps. Check for loose belts.
3. After checking the above, the heater will still not operate properly, call our technical support team at 616-530-6540.

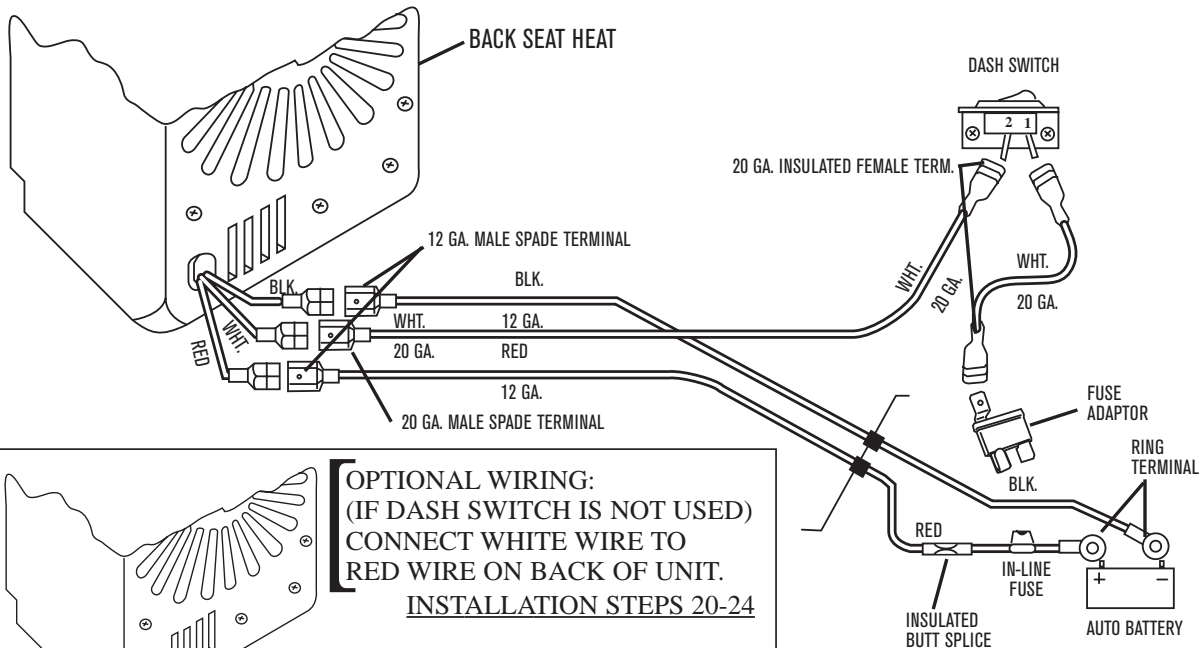
Specifications:

Model #3000C 12-volt

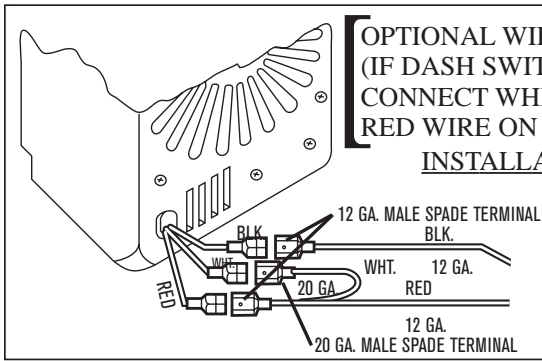
Voltage: 12 VDC
Current: 25 Amp @ 12 VDC
Power Consumption: 300 Watts, 1100 BTUs
Wire Harness Length: 20 Ft.
Fan Rating: 102 CFM

Model #4000 24-volt

Voltage: 24 VDC
Current: 25 Amp @ 24 VDC
Power Consumption: 600 Watts, 2100 BTUs
Length Wire Harness : 20 Ft.
Fan Rating: 102 CFM



OPTIONAL WIRING:
 (IF DASH SWITCH IS NOT USED)
 CONNECT WHITE WIRE TO
 RED WIRE ON BACK OF UNIT.
INSTALLATION STEPS 20-24



Two Year Limited Warranty

Therm Technology Corp. products are warranted to the original retail purchaser, to be free from defects in material and workmanship except as otherwise provided herein. This warranty is not transferrable and is effective from the date of original retail purchase.

This Warranty Covers:

1. During the first year from original retail purchase date, Therm Technology will, at its option, repair or replace defective components, including labor and cost of shipment to original consumer.
2. After the first year from original retail purchase date, up to the term of the warranty, Therm Technology will repair or replace defective components with an identical or reasonably equivalent new component for a \$25.00 service charge which includes labor and cost of shipment to original customer.

This Warranty does not cover:

1. Cost of shipping the product to Therm Technology.
2. Normal wear, scratches or fading of the product.
3. Damage caused by abuse, misuse, neglecting to follow use procedures, failure to follow installation procedures (see instructions in product package) or product modifications made by consumer.
4. Damage to home or vehicle electrical system or components caused by inadequate wiring to the product plug-in point.
5. Damage to any object placed close (see instructions on product package) to the air output of the heater.
6. Damage caused by dropping of heater.
7. Product sold outside the USA.
8. Consequential damages, incidental damages or expenses, including damages to property. Some states do not allow the exclusion or limitation of incidental or consequential damages, so the above limitation or exclusion may not apply to you.

Procedures for Warranty service (USA only):

1. Contact Therm Technology at 616-530-6540 for a return authorization number. Write this number on the carton being returned to Therm Technology.
2. Attach, to the product itself, a tag showing your name, address, phone number, description of problem and proof of retail purchase date. Enclose a cashier's check, check, Visa or Mastercard information or money order for applicable service charges.
3. Package the product carefully to ensure that no damage occurs during return shipment. Return the product, postage prepaid, to Therm Technology, 2879 Remico SW, Grandville, MI 49418-1139.

Procedures for Warranty Service (Canada only):

1. Return heater with proof of purchase date to the store where purchased. Pay applicable service charges to the store.
2. Therm Technology has authorized the store to give a replacement heater or credit if no stock exists.
3. Therm Technology will repair or replace the heater directly to the store.

Implied Warranty:

This warranty is limited to the provisions clearly stated herein. Any implied warranties, warranties of merchantability, warranties of fitness for a particular use are excluded.

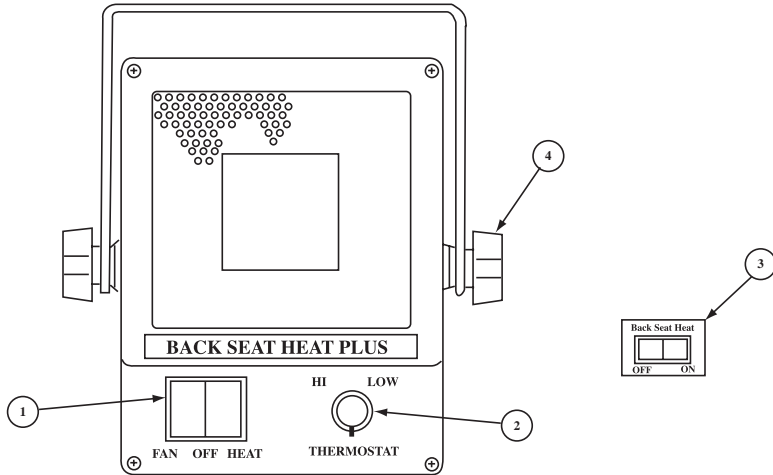
If any provision of this warranty is prohibited by federal, state, or local law, that cannot be preempted, that provision shall not be applicable. This warranty gives you specific legal rights and you may also have other rights which vary from state to state.

Instrucciones de Operación

Lea por favor las instrucciones de instalación completas antes de proceder con la instalación.

NOTA: Este calentador absorbe 25 amperios. Si el alternador de su vehículo no produce al menos de 45 a 50 amperios, no habrá suficiente energía para operar este calentador. **No lo instale.**

ADVERTENCIA: El vehículo debería ser arrancado antes de encender la calefacción del asiento posterior. **NO** opere el calentador o el ventilador si el motor no está en marcha.



1. Interruptor selector de la función.
 - a. Posición izquierda: Solamente ventilador encendido.
 - b. Posición media: Unidad apagada.
 - c. Posición derecha: Ventilador y calefacción encendidas.
2. Control por termostato.
 - a. Gire a la derecha o en sentido horario para aumentar el ajuste de temperatura.
 - b. Gire a la izquierda o en sentido antihorario para reducir el ajuste de temperatura.
3. Interruptor del tablero de instrumentos (instalación opcional).
 - a. Posición izquierda: Calentador apagado.
 - b. Posición derecha: Calentador y/o ventilador encendidos.
4. Perillas giratorias.
 - a. Afloje las perillas giratorias a cada lado para inclinar el calentador hacia arriba o hacia abajo y vuelva a ajustarlas.

NOTA: Tanto el interruptor del tablero de instrumentos (si se usa) como el interruptor selector de la función deben estar en la posición "on" para que el calentador opere. Cualquier interruptor que esté en la posición "off" apagará al calentador.

Ubicaciones recomendadas de montaje

1. Recomendamos una ubicación de montaje baja a lo largo del piso, bajo los asientos elevados, sobre las cavidades de la llanta o sobre el piso.

ADVERTENCIA: No instale el calentador donde la entrada o salida de aire podrían ser bloqueadas. Deje un espacio libre mínimo de 2 1/2 pulgadas para obstáculos en la parte posterior y anterior del calentador.

2. Antes de proceder con la instalación, revise las dimensiones del calentador y del soporte para evitar obstrucciones al instalar.
3. Instale el calentador al armazón metálico del asiento, piso o pared.

Instrucciones de instalación

1. Luego de escoger una ubicación apropiada (vea ubicaciones recomendadas de montaje), marque los centros de los tres orificios para tornillo del soporte en U en la superficie de montaje escogida. Taladre tres (3) orificios usando una broca de 1/8 de pulgada de diámetro.
2. Asegure el soporte en U a la superficie de montaje utilizando los tres (3) tornillos Phillips #8-32 x 1 pulgada de largo.
3. Desenrolle el conductor rojo, negro y blanco que viene con el calentador.
4. Guíe los conductores rojo y negro por debajo de la alfombra desde la ubicación del calentador hasta el tabique contra fuego del lado del conductor. Taladre dos orificios de 3/8 de pulgada de diámetro a través del tabique contra fuego e inserte los dos casquillos de 3/8 de pulgada.

ADVERTENCIA: Antes de taladrar, asegúrese que la broca del taladro no vaya a dañar los componentes existentes de ambos lados del tabique contra fuego.

5. Pase todo el exceso del conductor rojo y negro a través de los casquillos hacia el compartimento del motor.

NOTA: Asegúrese que los casquillos estén instalados apropiadamente para proteger los conductores.

Instalación utilizando el interruptor opcional del tablero de instrumentos (Si no usa el interruptor opcional del tablero de instrumentos, proceda con el paso N° 20)

6. Pele 1/4 de pulgada del extremo de los conductores rojo y negro en el lado del calentador y coloque terminales macho de horquilla calibre 12, asegurándose que la horquilla macho quede centrada en el terminal.
7. Pele 1/4 de pulgada del extremo del conductor blanco en el lado del calentador y coloque un terminal macho de horquilla calibre 20 asegurándose que la horquilla macho quede centrada en el terminal.

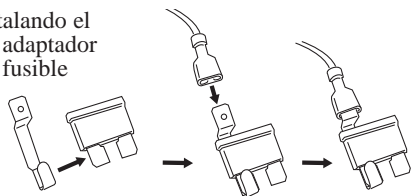
ADVERTENCIA: Cuando una a presión los terminales a los conductores, el prensado debe estar bien ajustado al conductor. Use la herramienta engarzadora apropiada y altamente recomendada. Si usted no realiza un buen ajuste puede ocasionar un recalentamiento del conductor.

8. Conecte los terminales a los conductores de la parte posterior del calentador. Conecte rojo con rojo, negro con negro y blanco con blanco (vea el diagrama de conexiones).
9. Coloque el calentador en el soporte en U usando las dos (2) perillas giratorias de 1/4-20.
10. Seleccione la ubicación para colocar el interruptor del tablero de instrumentos.
11. En la ubicación deseada marque los centros de los dos (2) orificios en la escuadra del interruptor del tablero.

ADVERTENCIA: Antes de taladrar asegúrese que la broca del taladro o los tornillos largos de 1 pulgada insertados no vayan a dañar los componentes existentes.

12. Taladre dos (2) orificios de 1/8 de pulgada de diámetro para el soporte en escuadra. Asegure el soporte a la superficie de montaje utilizando dos (2) tornillos largos #8-32 x 1 pulgada.
13. Instale la etiqueta del interruptor del tablero de instrumentos en el soporte en escuadra e inserte el interruptor con los números dirigidos hacia fuera del soporte en escuadra.
14. Corte el alambre blanco en dos (2) partes. Una para que vaya desde la parte posterior del calentador al interruptor del tablero de instrumentos. Otra para que vaya del interruptor del tablero de instrumentos a la caja de fusibles del vehículo.
15. Usando el conductor blanco que viene de la parte posterior del calentador, pele 1/4 de pulgada en el extremo. Coloque en este extremo un terminal hembra calibre 20. Conéctelo a cualquiera de los terminales de horquilla del interruptor del tablero de instrumentos.
16. Usando el resto del conductor blanco, pele 1/4 de pulgada en un extremo. Coloque en este extremo un terminal hembra calibre 20. Conéctelo a la horquilla restante del interruptor del tablero de instrumentos.
17. Guíe este cable hasta la caja de fusible del vehículo. Pele 1/4 de pulgada y coloque un terminal hembra calibre 20.
18. Seleccione un fusible de 10 amperios existente en la caja de fusibles del vehículo que esté inactivo cuando el vehículo no está funcionando. Esto permitirá apagar al calentador con la llave de encendido.
19. Instale el adaptador de fusible en el fusible seleccionado. Conecte el terminal del conductor blanco al adaptador del fusible (vea el diagrama).

Instalando el adaptador del fusible



Salte al paso número 26

Instalación sin el interruptor opcional del tablero de instrumentos

20. Pele 1/4 de pulgada del extremo del conductor negro en el lado del calentador y coloque un terminal macho de horquilla calibre 12 asegurándose que la horquilla macho quede centrada en el terminal.
21. Corte una longitud de 5 pulgadas del conductor blanco. Deseche el resto del conductor blanco.
22. Pele 1/4 de pulgada los extremos de los conductores rojo y blanco en el lado del calentador y colóquelos juntos en un terminal macho de horquilla calibre 12 asegurándose que la horquilla macho quede centrada en el terminal.
23. Pele 1/4 del extremo restante del conductor blanco y coloque un terminal macho de horquilla calibre 20 asegurándose que la horquilla macho quede centrada en el terminal.

ADVERTENCIA: Cuando una a presión los terminales a los conductores, el pensado debe estar bien ajustado al conductor. Use la herramienta engarzadora apropiada y altamente recomendada. Si usted no realiza un buen ajuste puede ocasionar un recalentamiento del conductor.

24. Conecte los terminales a los conductores del calentador de su parte posterior. Conecte rojo/blanco con rojo, negro con negro y blanco con blanco (vea el diagrama de conexiones).
25. Instale el calentador en el soporte en U usando dos (2) perillas giratorias de 1/4 - 20.
26. Guíe los conductores de alimentación (rojo y negro) alrededor del compartimento del motor. Junte los cables a las paredes del compartimento lejos del bloque del motor, múltiples u otros grupos de cables o partes móviles usando amarras de cable o presillas.

ADVERTENCIA: No corte el exceso de los conductores rojo y negro. Al acortarse estos cables disminuirá la resistencia del alambre lo cual a su vez aumentará la corriente por este. Esto podría ocasionar un funcionamiento anómalo del calentador e invalidará su garantía.

27. Coloque un terminal de ojo de 1/4 de pulgada en un extremo del fusible en serie y en el otro extremo un manguito de empalme calibre 12. Conecte el terminal ojo al borne positivo (+) de la batería. [Si el sistema tiene una tierra positiva, conecte el terminal de ojo del fusible en serie al borne negativo (-)].

ADVERTENCIA: El fusible en serie debe ser instalado tan cerca de la batería como sea posible (Vea el diagrama). Si cambia la ubicación del fusible en serie puede ocasionar un recalentamiento de fusible.

28. Pele 1/4 de pulgada del extremo del conductor rojo y coloque en el fusible en serie un manguito para empalme calibre 12.
29. Pele 1/4 de pulgada del extremo del conductor negro y coloque un terminal de ojo de 1/4 de pulgada. Conecte el terminal de ojo al borne negativo(-) de la batería. (Si el sistema tiene una tierra positiva, conecte el conductor negro al terminal positivo (+) de la batería).
30. Arranque el vehículo y pruebe el calentador. Para que el calentador encienda, tanto el interruptor selector de la función como el interruptor del tablero de instrumentos (si se usa) deben estar en la posición ON.

Nota: Si se necesita más conductor para los cables de alimentación, use solamente conductor 12 AWG apropiadamente aislado.

ADVERTENCIA: Use solamente fusibles de tamaño y capacidad recomendados. El uso de fusibles incorrectos puede dañar el calentador o el vehículo e invalidar su garantía del producto.

En los centros de servicio locales está también disponible el servicio de instalación.

Si no sigue estas instrucciones puede invalidar la garantía del producto.

Guía de diagnóstico de averías:

El calentador no trabaja (no hay ventilación ni calor).

1. Revise el ajuste del termostato. Gire hacia Hi (Alto) hasta que el calentador arranque.
2. Revise el fusible en serie. Si está quemado, reemplácelo solo con un fusible para automóvil de 30 amperios (es posible que el fusible pueda tener una grieta fina que hace difícil decir si el fusible se ha quemado o no).
3. Revise que la conexión a la batería sea apropiada (rojo al +, y negro al -). Invierta si el sistema tiene tierra positiva.
4. Revise que la conexión del interruptor del tablero de instrumentos o del cableado opcional sea adecuada de acuerdo al diagrama de conexiones.
5. Revise la apropiada inserción y completa conexión de los conectores de la parte posterior del calentador.
6. Si luego de revisar lo anterior, el calentador aún no trabaja, llame a nuestro equipo de soporte técnico al 616-530-6540.

Salida de calor, pero no hay ventilación

1. Llame a nuestro equipo de soporte técnico al 616-530-6540.

El ventilador funciona, pero no hay salida de calor

1. Revise la conexión del conductor rojo en la parte posterior del calentador. (Si existe una conexión incompleta en el conductor rojo, habrá 12 voltios hasta el calentador desde la batería, pero no dentro del calentador).
2. Vuelva a revisar todas las uniones a presión y conexiones.
3. Si luego de revisar lo anterior, el calentador aún no trabaja, llame a nuestro equipo de soporte técnico al 616-530-6540.

Baja salida de calor

1. Este calentador no está diseñado como una fuente primaria de calor. La salida de aire será entre 20°-30° F más caliente que la entrada de aire.
2. El alternador no está recibiendo suficientes amperios. Vea si hay correas flojas.
3. Si luego de revisar lo anterior, el calentador aún no funciona correctamente, llame a nuestro equipo de soporte técnico al 616-530-6540.

Especificaciones

Modelo N° 3000C 12-volt

Voltaje: 12 VCD
Corriente: 25 Amperios a 12 VCD
Consumo de Energía: 300 vatios, 1100 BTUs
Longitud del arnés de cables: 20 pies.
Régimen del Ventilador: 102 CFM

Modelo N° 4000 24-volt

Voltaje: 24 VCD
Corriente: 25 Amperios a 24 VCD
Consumo de Energía: 600 vatios, 2100 BTUs
Longitud del arnés de cables: 20 pies.
Régimen del Ventilador: 102 CFM

Garantía limitada de dos años

Los productos de Therm Technology Corp. se garantizan al comprador minorista original, que están libres de defectos en material y mano de obra excepto por lo provisto en la presente. Esta garantía no es transferible y es efectiva a partir de la fecha de la compra minorista original.

Esta Garantía cubre:

1. Durante el primer año a partir de la fecha de la compra minorista original, Therm Technology reparará o reemplazará, a su opción, los componentes defectuosos, incluyendo mano de obra y costo del envío al cliente original.
2. Después del primer año de la fecha de la compra minorista original, hasta la expiración de la garantía, Therm Technology reparará o reemplazará los componentes defectuosos con un componente nuevo idéntico o razonablemente equivalente por un cargo de servicio de \$25.00 que incluye mano de obra y el costo del envío al cliente original.

Esta Garantía no cubre:

1. El costo del envío del producto a Therm Technology.
2. Desgaste normal, rayaduras o decoloración del producto.
3. Daños causada por el abuso, uso erróneo, descuidando seguir procedimientos del uso, incidente de seguir procedimientos de instalación (véase las instrucciones en conjunto del producto) o las modificaciones de producto hechas por el consumidor.
4. Daño al hogar o a sistema eléctrico o a los componentes del vehículo causado por el cableado inadecuado a la punta del plug-in del producto.
5. Daños a cualquier objeto puesto cerca (véase las instrucciones en el conjunto del producto) a la salida del aire del calentador.
6. Daño causado cayendo del calentador.
7. Producto vendido fuera de EE.UU.
8. Daños consecuentes, daños incidentales o expensas, incluyendo daños a la propiedad. Algunos Estados no permiten la exclusión o limitación de daños incidentales o consecuentes, de manera que la limitación o la exclusión de arriba puede no aplicarse a usted.

Procedimientos para el servicio de garantía (EE.UU. solamente)

1. Consulte con Therm Technology en 616-530-6540 para pedir un número de autorización de devolución. Escriba este número en la caja devuelta a Therm Technology.
2. Asocie, al producto sí mismo, una etiqueta que muestra su nombre, direccionamiento, número de teléfono, descripción del problema y prueba de la fecha al por menor de la compra. Incluya un cheque de cashier.s, el cheque, la información de la Visa o de la Mastercard o el pedido de dinero para los precios de servicio aplicables.
3. Envuelva cuidadosamente el producto para asegurar que no ocurra daño durante el envío de devolución. Envíe el producto, con franqueo postal pagado, a Therm Technology.

Procedimientos para el servicio de garantía (en Canadá solamente)

1. Devuelva el calentador con la prueba de la fecha de compra a la tienda donde se compró. Pague a la tienda los cargos de servicio aplicables.
2. Therm Technology ha autorizado a la tienda a que entregue un calentador de repuesto o a reembolsar el importe, si no estuviera en stock.
3. Therm Technology Corp. reemplazará o reparará y enviará el calentador directamente a la tienda.

Garantía implícita:

Esta garantía está limitada a las provisiones claramente expresadas en la presente. Se excluyen todas las garantías implícitas, garantías de comercialización y garantías de aptitud para un uso particular.

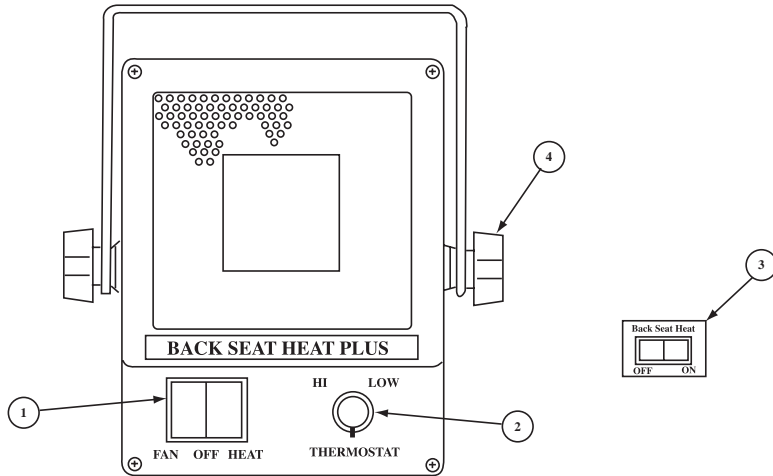
Esta provisión no será aplicable, si cualquier provisión de esta garantía está prohibida por la ley federal, estatal o local, que tenga prioridad. Esta garantía le otorga derechos legales específicos y usted puede tener también otros derechos que varían de Estado a Estado.

Directives d'utilisation

Veuillez lire les instructions d'installation complètes avant de procéder à l'installation.

NOTE : Cet appareil consomme 25 A. Si l'alternateur de votre véhicule ne fournit pas au moins 45 à 50 A, vous n'aurez pas suffisamment de puissance pour faire fonctionner l'appareil. **Vous ne devez pas l'installer.**

MISE EN GARDE : Le véhicule doit être en marche avant que le chauffage de la banquette arrière ne soit activé. **NE FAITES PAS** fonctionner le chauffage ou le ventilateur si le moteur ne fonctionne pas.



1. Commutateur de sélection
 - a. Position gauche : ventilateur seulement.
 - b. Position centrale : arrêt.
 - c. Position droite : ventilateur et chauffage.
2. Commande thermostatique
 - a. Tournez vers la droite (sens horaire) pour augmenter la température.
 - b. Tournez vers la gauche (sens anti-horaire) pour réduire la température.
3. Commutateur du tableau de bord (facultatif)
 - a. Position gauche : arrêt du chauffage.
 - b. Position droite : chauffage et/ou ventilateur activé.

NOTE : Le commutateur du tableau de bord (s'il est utilisé) et le commutateur de sélection doivent être tous les deux en position « on » pour que le chauffage fonctionne. Un seul commutateur en position « off » empêchera le chauffage de fonctionner.

4. Poignées rotatives
 - a. Dévissez les poignées des deux côtés pour faire orienter l'appareil vers le haut ou vers le bas, puis revissez-les.

Emplacements suggérés pour l'installation

1. Nous suggérons d'installer l'appareil près du plancher, sous un siège surélevé, sur les passages de roue ou directement sur le plancher.

MISE EN GARDE : N'installez pas l'appareil à un endroit où les prises/sorties d'air pourraient être bouchées. Prévoyez au moins 2 1/2 pouces d'espace sur le devant et l'arrière de l'appareil.

2. Vérifiez la dimension de l'appareil et des supports de montage pour vérifier la présence d'obstacles avant de procéder à l'installation.
3. Installez l'appareil sur un cadre, sur une partie du plancher ou sur une partie métallique.

Directives d'installation

- Après avoir choisi un emplacement approprié (voir Emplacements suggérés pour l'installation), marquez le centre des trois orifices du support en U sur la surface d'installation. Percez trois orifices au moyen d'un foret de perceuse de 1/8 de pouce de diamètre.
- Fixez le support en U à la surface d'installation au moyen des trois vis Philips no 8-32 de un pouce de longueur.
- Déroulez les fils rouge, blanc et noir fournis avec l'appareil.
- Faites passer les fils rouge et noir sous le tapis, entre l'appareil et le mur coupe-feu du côté conducteur. Percez deux orifices de 3/8 de pouce de diamètre dans le coupe-feu, puis insérez-y une bague de 3/8 de pouce.

MISE EN GARDE : Avant de percer les orifices, assurez-vous que le foret n'endommagera aucune composante d'un côté ou l'autre du coupe-feu.

- Faites passer les fils rouge et blanc à travers les bagues, dans le compartiment moteur.

NOTE : Assurez-vous que les bagues sont bien installées pour protéger les fils.

Installation avec commutateur de tableau de bord facultatif (Si vous n'utilisez pas ce commutateur, passez à l'étape 20)

- Dénudez 1/4 de pouce des fils rouge et noir à la hauteur de l'appareil, puis ajoutez-y une borne mâle de calibre 12, en vous assurant que la partie mâle est bien centrée.
- Dénudez 1/4 de pouce du fil blanc au niveau de l'appareil, puis installez-y une borne mâle de calibre 20 en vous assurant que la borne mâle est bien centrée.

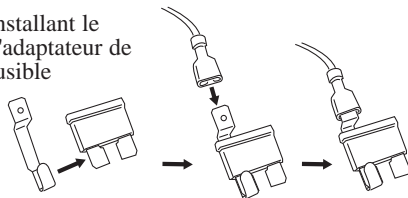
MISE EN GARDE : Lors du sertissage des bornes sur les fils, le raccord doit être solidement fait sur le fil. Nous vous recommandons fortement d'utiliser un outil à sertir approprié. Un raccord lâche pourrait entraîner une surchauffe du fil.

- Raccordez les bornes aux fils à l'arrière de l'appareil. Raccordez le fil rouge au fil rouge, le fil noir au fil noir et le fil blanc au fil blanc (voir le diagramme de câblage).
- Installez la chaufferette sur le support en U au moyen des deux poignées rotatives 1/4 - 20.
- Sélectionnez l'emplacement d'installation du commutateur de tableau de bord.
- Marquez le centre des deux orifices du commutateur de tableau de bord à l'emplacement désiré.

MISE EN GARDE : Avant de percer les orifices, assurez-vous que le foret ou que les vis d'un pouce n'endommageront pas les composantes existantes.

- Percez deux orifices de 1/8 de pouce de diamètre pour le support. Fixez le support à la surface au moyen des deux vis no 8-32 d'un pouce.
- Installez l'étiquette du commutateur sur le support, puis insérez le commutateur en vous assurant que les chiffres sont opposés au support.
- Coupez le fil blanc en deux. Une partie ira de l'arrière de l'appareil jusqu'au commutateur du tableau de bord, l'autre ira du commutateur du tableau de bord jusqu'au porte-fusibles du véhicule.
- En prenant le fil blanc provenant de l'arrière de l'appareil, dénudez 1/4 de pouce d'une extrémité. Installez une borne femelle de calibre 20 sur cette extrémité, puis raccordez-la à la borne du commutateur du tableau de bord.
- En prenant l'autre bout de fil blanc, dénudez un 1/4 de pouce d'une extrémité. Installez une borne femelle de calibre 20 sur le fil, puis raccordez-la à l'autre borne du commutateur de tableau de bord.
- Faites courir ce fil jusqu'à la boîte de fusibles du véhicule. Dénudez 1/4 de pouce de l'extrémité du fil, puis installez-y une borne femelle de calibre 20.
- Sélectionnez un fusible de 10 ampères dans la boîte du véhicule, qui n'est pas sous tension lorsque le véhicule ne fonctionne pas. Ainsi, la chaufferette sera fermée dès que vous arrêterez le véhicule.
- Installez l'adaptateur de fusible dans le connecteur sélectionné. Raccordez la borne du fil blanc à l'adaptateur de fusible (voir le diagramme).

Installant le d'adaptateur de fusible



Passez à l'étape 26

FRANÇAIS

Installation sans le commutateur de tableau de bord facultatif

20. Dénudez 1/4 de pouce du fil noir au niveau de l'appareil puis fixez-y une borne mâle de calibre 12 en vous assurant que la borne est bien centrée.
21. Coupez environ 5 pouces de fil blanc. Jetez le reste du fil.
22. Dénudez 1/4 de pouce de l'extrémité des fils rouge et blanc au niveau de l'appareil, puis fixez-les ensemble au moyen d'une borne mâle de calibre 12 en vous assurant que la borne est bien centrée.
23. Dénudez 1/4 de pouce de l'autre extrémité du fil blanc, puis fixez-y une borne mâle de calibre 20 en vous assurant que la borne est bien centrée.

MISE EN GARDE : Lors du sertissage des bornes sur les fils, le raccord doit être solidement fait sur le fil. Nous vous recommandons fortement d'utiliser un outil à sertir approprié. Un raccord lâche pourrait entraîner une surchauffe du fil.

24. Raccordez les bornes aux fils à l'arrière de l'appareil. Raccordez ensemble le fil rouge/blanc au fil rouge, le fil noir au fil noir et le fil blanc au fil blanc (voir le diagramme de câblage).
25. Installez la chauffelette sur le support en U au moyen des deux poignées rotatives 1/4 - 20.
26. Faites courir les fils d'alimentation (rouge et noir) le long du compartiment moteur. Fixez les fils à la paroi du compartiment au moyen d'attaches, de façon que les fils ne touchent pas le bloc-moteur, le collecteur, d'autres fils ou pièces en mouvement.

MISE EN GARDE : Ne coupez pas les fils rouge et blanc en excès. Le fait de raccourcir ces fils diminuera la résistance, ce qui pourrait augmenter le courant. Cela entraînerait un mauvais fonctionnement de l'appareil et l'annulation de la garantie.

27. Raccordez une extrémité du fusible en ligne à une borne ronde de 1/4 de pouce et l'autre extrémité à un manchon prolongateur bout à bout de calibre 12. Raccordez la borne ronde à la borne positive (+) de la batterie. (Si le système est doté d'une mise à la terre positive, raccordez la borne ronde du fusible en ligne à la borne négative (-)).

MISE EN GARDE : Le fusible en ligne doit être installé le plus près possible de la batterie (consultez le diagramme de câblage). Le fait de modifier l'emplacement du fusible en ligne pourrait entraîner une surchauffe du fusible.

28. Dénudez 1/4 de pouce de l'extrémité du fil rouge, puis installez-y un manchon prolongateur bout à bout de calibre 12 sur le fusible en ligne.
29. Dénudez 1/4 de pouce de l'extrémité du fil noir, puis installez-y une borne ronde 1/4 de pouce. Raccordez la borne ronde à la borne négative (-) de la batterie. (Si le système est doté d'une mise à la terre positive, raccordez le fil noir à la borne positive (+) de la batterie.
30. Faites démarrer le véhicule pour essayer l'appareil. Le commutateur de sélection et le commutateur de tableau de bord (s'il est utilisé) doivent être tous les deux en position « on » pour que le chauffage fonctionne.

Note : Si vous avez besoin de fil supplémentaire, utilisez seulement du fil de calibre 12 AWG correctement isolé pour l'alimentation.

MISE EN GARDE : Utilisez seulement les types de fusibles recommandés. L'utilisation de fusibles non appropriés pourrait endommager l'appareil ou le véhicule et annulerait la garantie du produit.

Les centres de service locaux peuvent également procéder à l'installation.

Le fait de ne pas suivre ces directives peut annuler la garantie du produit.

Guide de dépannage :

Le chauffage ne fonctionne pas (ni le ventilateur).

1. Vérifiez le réglage du thermostat. Faites tourner la commande vers « Hi » jusqu'à ce que le chauffage démarre.
2. Vérifiez le fusible en ligne. S'il est grillé, remplacez-le par un fusible de 30 ampères pour application automobile seulement. (Il est possible que le fusible porte une fissure qui empêche de voir s'il est grillé ou non.)
3. Vérifiez les connexions à la batterie (fil rouge à la borne + et fil noir à la borne -).

Inversez le raccordement si le système est doté d'une mise à la terre positive.

4. Vérifiez les connexions au niveau du commutateur du tableau de bord ou des fils optionnels, conformément au diagramme de câblage.
5. Vérifiez les connecteurs à l'arrière de l'appareil pour vous assurer qu'ils sont bien insérés et raccordés.
6. Après avoir vérifié les points ci-dessus, si l'appareil ne fonctionne toujours pas, contactez le soutien technique au (616) 530-6540.

Le chauffage fonctionne, mais pas le ventilateur.

1. Contactez le soutien technique au (616) 530-6540.

Le ventilateur fonctionne, mais pas le chauffage.

1. Vérifiez le raccordement du fil rouge à l'arrière de l'appareil. (Si le fil rouge n'est pas bien raccordé, une tension 12 volts sera fournie à l'appareil, mais pas à l'élément de chauffage.)
2. Vérifiez toutes les sertissures et les connexions.
3. Après avoir vérifié les points ci-dessus, si l'appareil ne fonctionne toujours pas, contactez le soutien technique au (616) 530-6540.

L'appareil ne chauffe pas bien.

1. Cet appareil n'a pas pour but d'être la principale source de chauffage. La température de l'air à la sortie devrait être de 200 à 300 supérieure à celle de l'air à l'entrée.
2. L'alternateur ne fournit peut-être pas suffisamment de puissance. Assurez-vous que toutes les courroies sont bien serrées.
3. Après avoir vérifié les points ci-dessus, si l'appareil ne fonctionne toujours pas, contactez le soutien technique au (616) 530-6540.

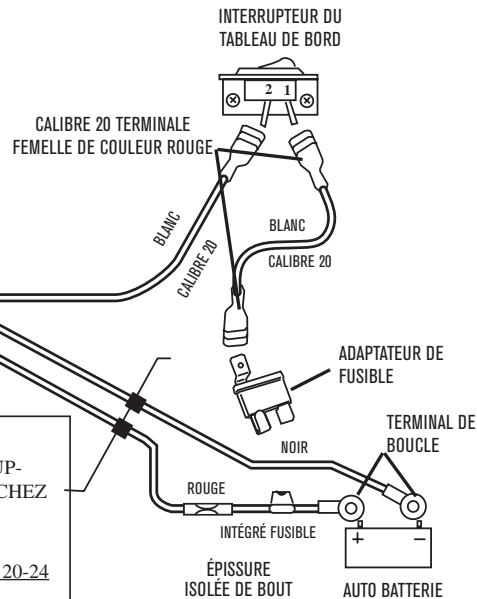
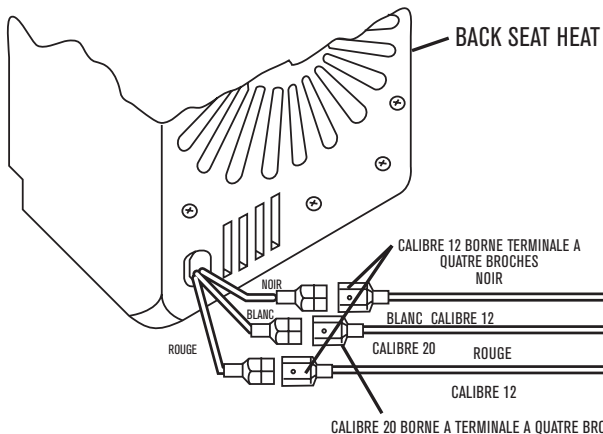
Fiches techniques :

Modèle 3000C – 12 volts

Tension : 12 V c.c.
Courant : 25 Amp à 12 V c.c.
Consommation : 300 Watts, 1100 BTU
Longueur des fils : 20 pieds
Débit du ventilateur : 102 PCM

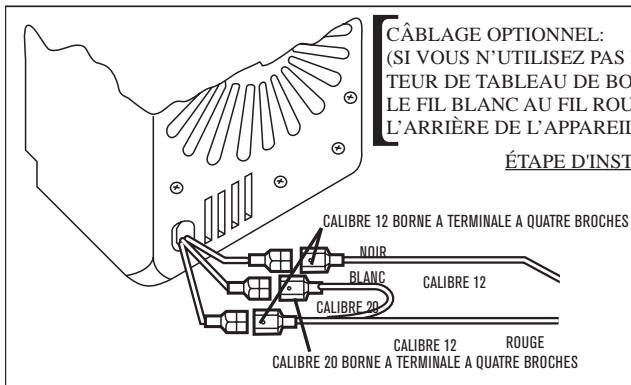
Modèle 4000 – 24 volts

Tension : 24 V c.c.
Courant : 25 Amp à 24 V c.c.
Consommation : 600 Watts, 2100 BTU
Longueur des fils : 20 pieds
Débit du ventilateur : 102 PCM



CÂBLAGE OPTIONNEL:
 (SI VOUS N'UTILISEZ PAS D'INTERRUPTEUR DE TABLEAU DE BORD) BRANCHEZ LE FIL BLANC AU FIL ROUGE, À L'ARRIÈRE DE L'APPAREIL.

ÉTAPE D'INSTALLATION 20-24



Garantie limitée de deux ans

Sauf indication contraire, Therm Technology garantit à l'acheteur original que ses produits sont exempts de défaut de matériel et de fabrication pour une durée d'un an à compter de la date d'achat.

Protection offerte:

1. Dans l'année suivant la date d'achat, Therm Technology s'engage à réparer ou à remplacer, à sa discrétion, les éléments défectueux. Elle assure en outre tous frais de main-d'oeuvre et d'expédition au client.
2. Une fois la première année écoulée, Therm Technology s'engage à réparer ou à remplacer les éléments défectueux par des éléments semblables, moyennant des frais de 25 \$. Elle assure en outre tous frais de main-d'oeuvre et d'expédition au client.

Ce que la garantie ne couvre pas:

1. Les frais d'expédition du produit à Therm Technology.
2. L'usure normale, les égratignures et la décoloration du fini.
3. Dommages provoqués par abus, abus, négligeant pour suivre des procédures d'utilisation, le manque de suivre des procédures d'installation (voir les instructions en module de produit) ou des modifications de produit faites par le consommateur.
4. Endommagement à la maison ou au système électrique ou aux composants de véhicule provoqués par le câblage insatisfaisant au point de connexion de produit.
5. Endommagement à n'importe quel objet placé étroitement (voir les instructions sur le module de produit) à la sortie d'air du réchauffeur.
6. Endommagement causé par la baisse du réchauffeur.
7. Les appareils vendus en dehors des États-Unis.
8. Les dommages indirects ou consécutifs, les faux-frais, y compris les dommages à la propriété. Certains états ne reconnaissent pas la restriction des dommages indirects ou consécutifs. Il se peut donc que ces restrictions ne s'appliquent pas à votre cas.

Pour obtenir le service après-vente (aux États-Unis seulement):

1. Téléphonez à Therm Technology au (616) 530-6540 pour obtenir un numéro d'autorisation de retour. Inscrivez ce numéro sur l'emballage du produit à retourner à Therm Technology.
2. Attachez, au produit lui-même, une étiquette montrant votre nom, adresse, numéro de téléphone, description de problème et preuve de date au détail d'achat. Entourez un chèque de cashier.s, le chèque, l'information de Visa ou de Mastercard ou le mandat pour les frais administratifs applicables.
3. Emballez soigneusement le produit pour éviter qu'il ne soit endommagé pendant le transport. Expédiez-le, port payé, à Therm Technology, 2879 Remico SW, Grandville, MI 49418-1139.

Pour obtenir le service après-vente (au Canada seulement):

1. Retournez le produit à l'endroit où vous l'avez acheté accompagné de la preuve d'achat. Payez les frais de services, le cas échéant.
2. Therm Technology a autorisé le marchand à remplacer votre appareil ou à vous accorder un crédit, au cas où l'appareil ne serait pas en stock.
3. Therm Technology remplacera l'appareil ou en fera la réparation pour le magasin.

Garantie implicite:

Cette garantie est limitée aux dispositions décrites aux présentes. Therm Technology ne fait aucune garantie implicite, de marchandise ou d'adaptation à un usage particulier.

Toute disposition de la garantie qui viendrait en conflit avec les lois fédérales, provinciales ou municipales en vigueur serait considérée comme nulle et non avenue. Cette garantie vous donne des droits juridiques, mais il se peut que vous ayez d'autres droits, selon l'état où vous demeurez.