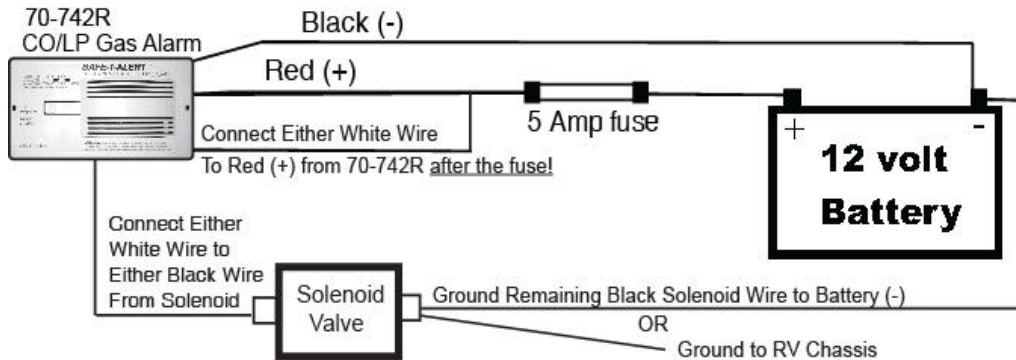


Instructions for installing the 70-742-R-Kit Solenoid Valve

1. Connect the Red wire and either White wire from the alarm to the 12 volt supply (+). Install a 5 amp fuse in the positive (+) circuit between this connection and the battery. Connect the Black wire to the 12 volt Ground (-).
2. Relay Output – Connect the remaining White wire from the alarm to either black wire from the solenoid. Ground the remaining Black wire from the solenoid to the negative side (-) of the 12 volt battery OR ground it to the RV Chassis.



Instructions for installing the 70-742-R-Kit Solenoid Valve

1. Connect the Red wire and either White wire from the alarm to the 12 volt supply (+). Install a 5 amp fuse in the positive (+) circuit between this connection and the battery. Connect the Black wire to the 12 volt Ground (-).
2. Relay Output – Connect the remaining White wire from the alarm to either black wire from the solenoid. Ground the remaining Black wire from the solenoid to the negative side (-) of the 12 volt battery OR ground it to the RV Chassis.

