

Airpura

AIR PURIFIERS

600-W

Central Air Series

**Enjoy the Benefits
of Clean Air in Every Part of Your Home**

Simple installation

The Airpura 600-W air purification unit can be easily installed into your central air system.

The 600-W draws a portion of the main airflow as a by-pass, purifies it and returns the clean air into the system.

Airpura's efficient 560 CFM fan motor ensures that no change in air pressure takes place in your central air system.

Continuous air purification

Even when your central air system is turned off the Airpura 600-W will continue to filter and distribute clean air throughout your home.

The continuous purification of the 600-W's high efficiency filtration system will clean the air in your home and eliminate any new pollutants introduced in the normal course of everyday activities.

With the 600-W's variable speed control, you choose the level of purification required: from OFF to MAX.

Energy savings

You save on your energy costs and help protect the environment by cleaning and recirculating your indoor air instead of heating or cooling outdoor air.

6 Filtration Options

- R600-W** *All purpose filtration*
- UV600-W** *Microorganisms*
- V600-W** *Specific chemicals - VOCs*
- C600-W** *Airborne Chemicals*
- H600-W** *Particle Filtration*
- P600-W** *Comprehensive Filtration*



The Airpura 600-W Series

Black Baked Powder Coat Finish

The Airpura Limited Warranty

Long Lasting Filters

Carbon filters typically last up to 2 years depending on use

Hepa filters typically last 5 years in regular use.

Pre-filters should be changed every 12 months depending on use

Feel the Difference Breathing Clean Air Makes to Your Health

Airpura

AIR PURIFIERS

600-W

Central Air Series

Technical Specifications

Carbon bed

570 sq in surface area
x 2 or 3" deep

True Hepa Filter

40 sq ft true HEPA
(Measured 1 side only)
10 pleats per inch
Pleats warm rolled
with separators

Air Flow 560 cfm (freeflow)

More cfm than any
other home unit available

Pre-filter

20 sq in x 2 in deep

Unit dimensions

25" x 15"

Inlet and Outlet Ducts

Standard 5" diameter

Weight

50lbs total

Voltage Options

115 or 220 volts

Watts

120 on high 40 on low

ETL Certified

Conforms to
CSA C22.2 no 113
ANSI / UL 507

Your Airpura Dealer

Advanced design for Maximum Efficiency

One piece motor / fan assembly

Eliminates vibration problems where separate fan is attached to a shaft with a set screw. Compact motor / fan design allows more space for filtration

Motor and electric parts out of the airflow

Other systems blow clean air over the motor and recontaminate it

Unique pressure seal

The pressure seal system on the filter chamber ensures that all the impurities pass through the filters. Other systems allow dirty air to escape and fail to achieve their promised HEPA rating of 99.97% filtration

Powdercoat steel housing

Robust construction. No plastic vapors.

Easy Change Pre-filter Pads

Simply unclip the input pipe and replace the pre-filter pad

Activated Carbon Filter

Absorbs airborne chemicals
noxious gases and odors

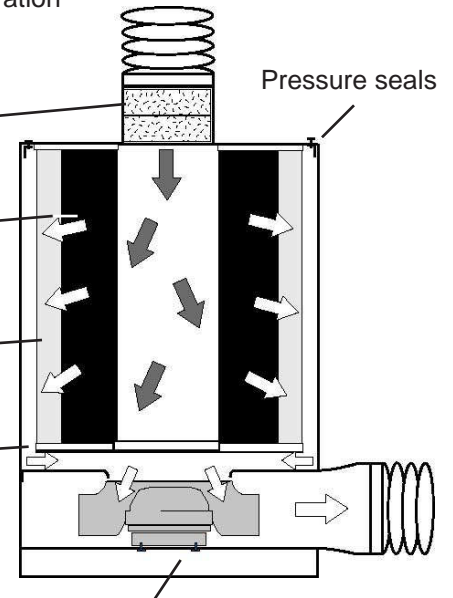
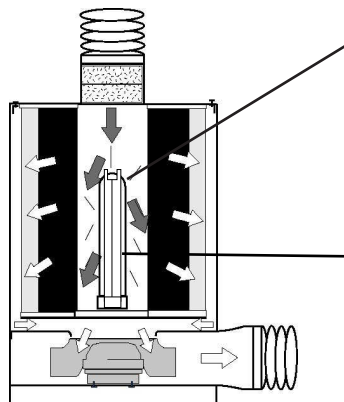
True HEPA filter

Traps 99.97% of particles
as small as 0.3 microns

Felt Gaskets

Seal the filter chamber:
No off gassing from rubber seals

UV600-W and P600-W models



20 watt UV lamp

30,000 um per sec squared Sterilizes mold spores,
micro-organisms antigens and pathogens

Lamp situated in filter chamber

Kills organisms as they are trapped by the filters

TitanClean Photo-Catalytic Attachment in the P600-W

In conjunction with the UV lamp TitanClean breaks
down airborne chemicals and reduces them to
harmless carbon dioxide or water vapor

6

Filtration Options

R600-W All Purpose Filtration

18lbs Carbon filter, True Hepa filter

V600-W Specific Chemicals - VOCS

Enhanced Carbon filter, True Hepa filter

H600-W Particle Filtration

True Hepa filter, Hi-C carbon cloth filter,

C600-W Airborne Chemicals

26lbs Carbon filter, HepaBarrier filter

UV600-W Microorganisms

18lbs Carbon filter, True Hepa filter, UV Lamp

P600-W Comprehensive Filtration

18lbs Carbon filter, True Hepa filter, UV Lamp,
TitanClean Photocatalytic Oxidizer